

## DUAL POT SAND FILTER

### 1. General Description

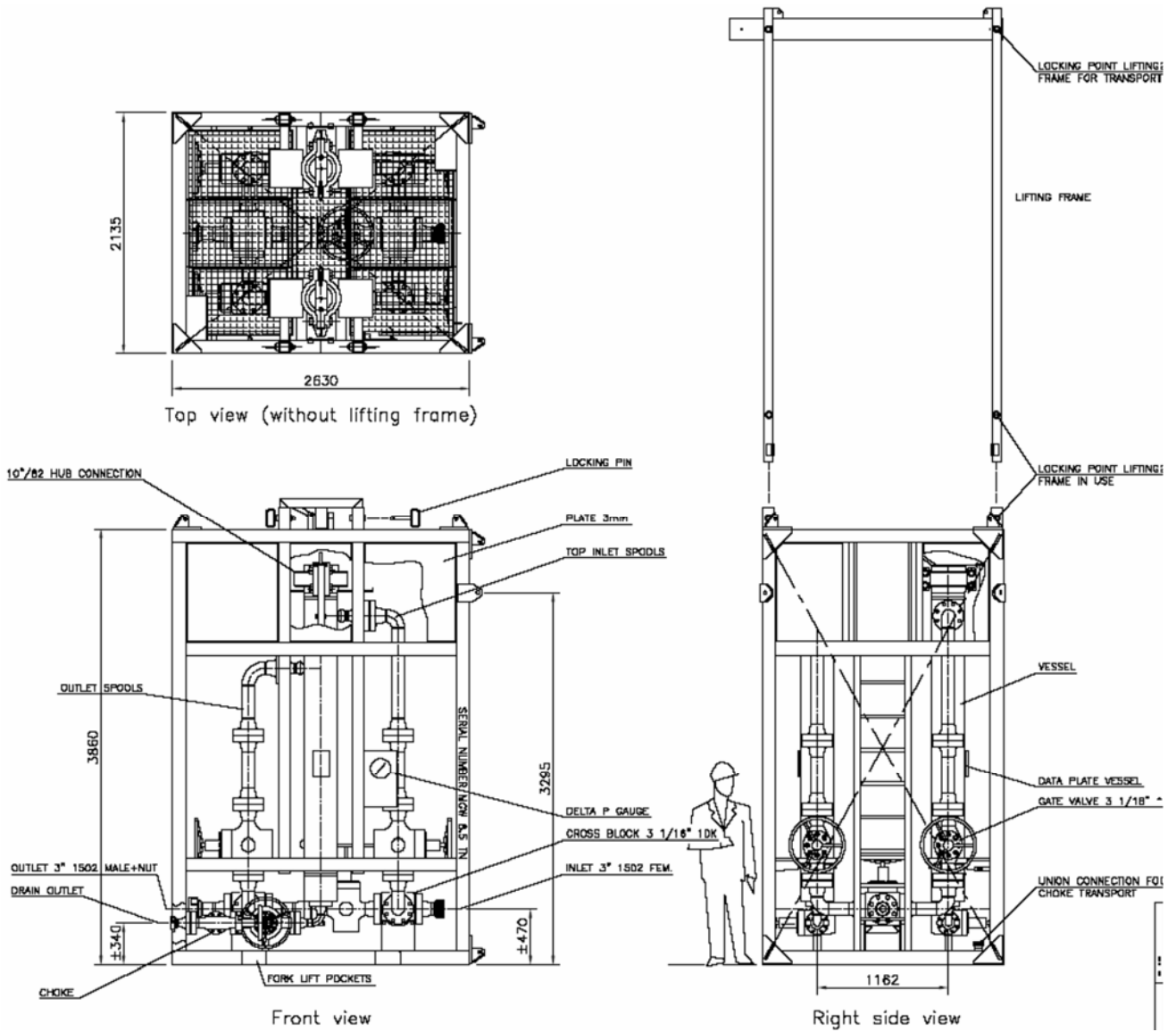
- a) The dual-pot sand filter is used to remove sand and other solid particles from well effluent to prevent erosion of downstream equipment.
- b) Typical applications for the unit include completion cleanups and maximum sand-free rate tests. This filter is typically located after the well flowhead upstream of the choke manifold.
- c) Dual pot sand filter consists of two filter pots and a manifold. The frame-mounted pots have lifting support for convenient filter replacement. Both of two pots can be on stream at same time. Normally, one vessel is in use, another is being cleaned.
- d) Skid mounted.



### 2. Specifications:

- Particle size: 200/100/50Mesh or 0.075/0.15/0.3mm
- Pressure Rating: 5000 PSI, 10,000 PSI, 15,000 PSI
- Gas flow capacity: up to 3,000,000 m<sup>3</sup>/d
- Liquid flow capacity: up to 15,000bpd
- Available Design Codes: API 6A, ASME B 31.3 and DNV 2.7-1

### 3. Drawing (Sketch map)



## 4. Flow Diagram

